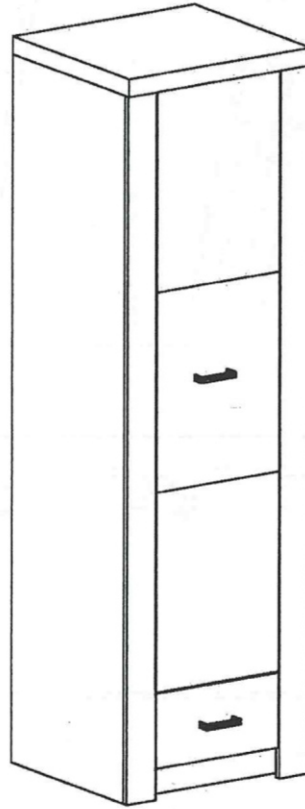
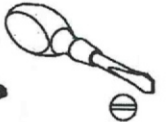
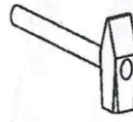
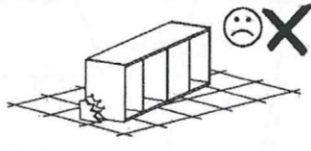
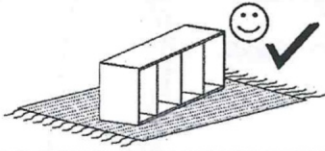
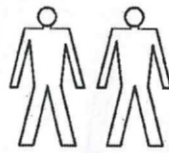
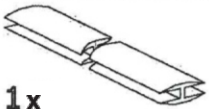


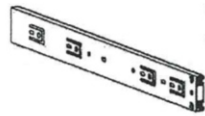
INFINITY I-02



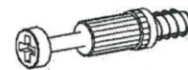
H - 1x



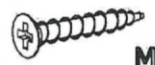
A - 8x



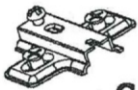
T - 1x



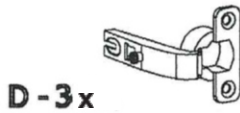
K - 14x



M - 18x
3 x 30 mm



C - 3x



D - 3x



R - 1x



Y - 2x



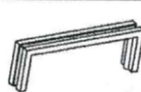
J - 8x
5 x 13 mm



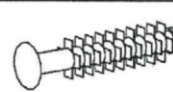
S - 1x



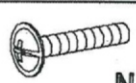
Z - 1x



U - 2x



P - 4x



N - 4x
M4 x 25 mm



E - 30x

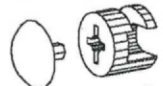
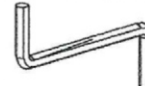


B - 34x



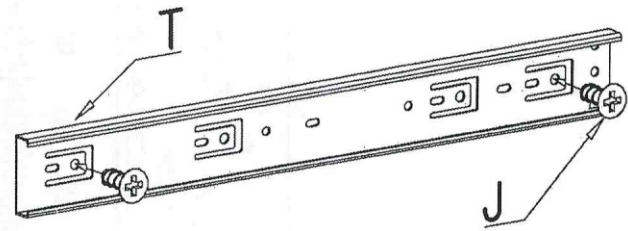
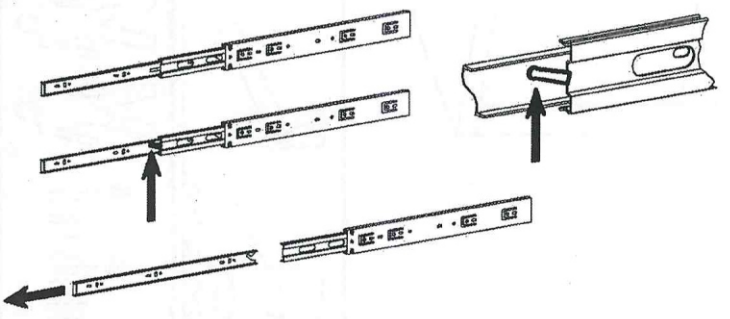
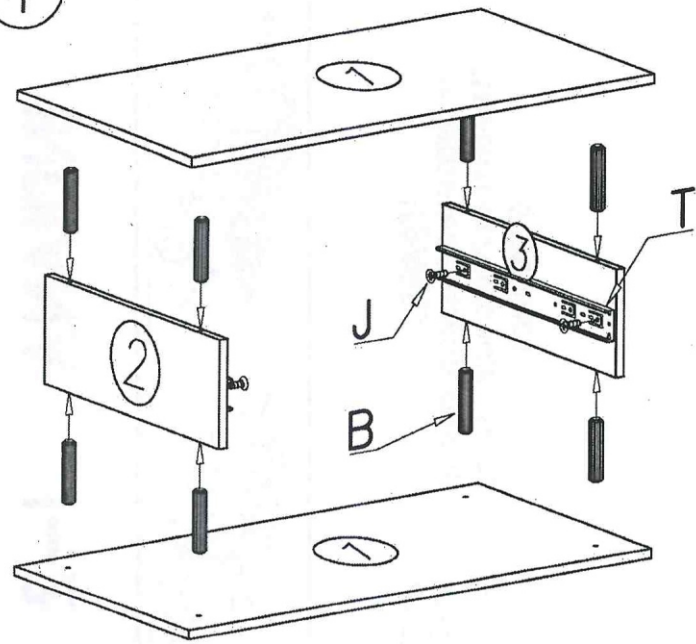
G - 10x
3,5 x 16 mm

Z - 1x

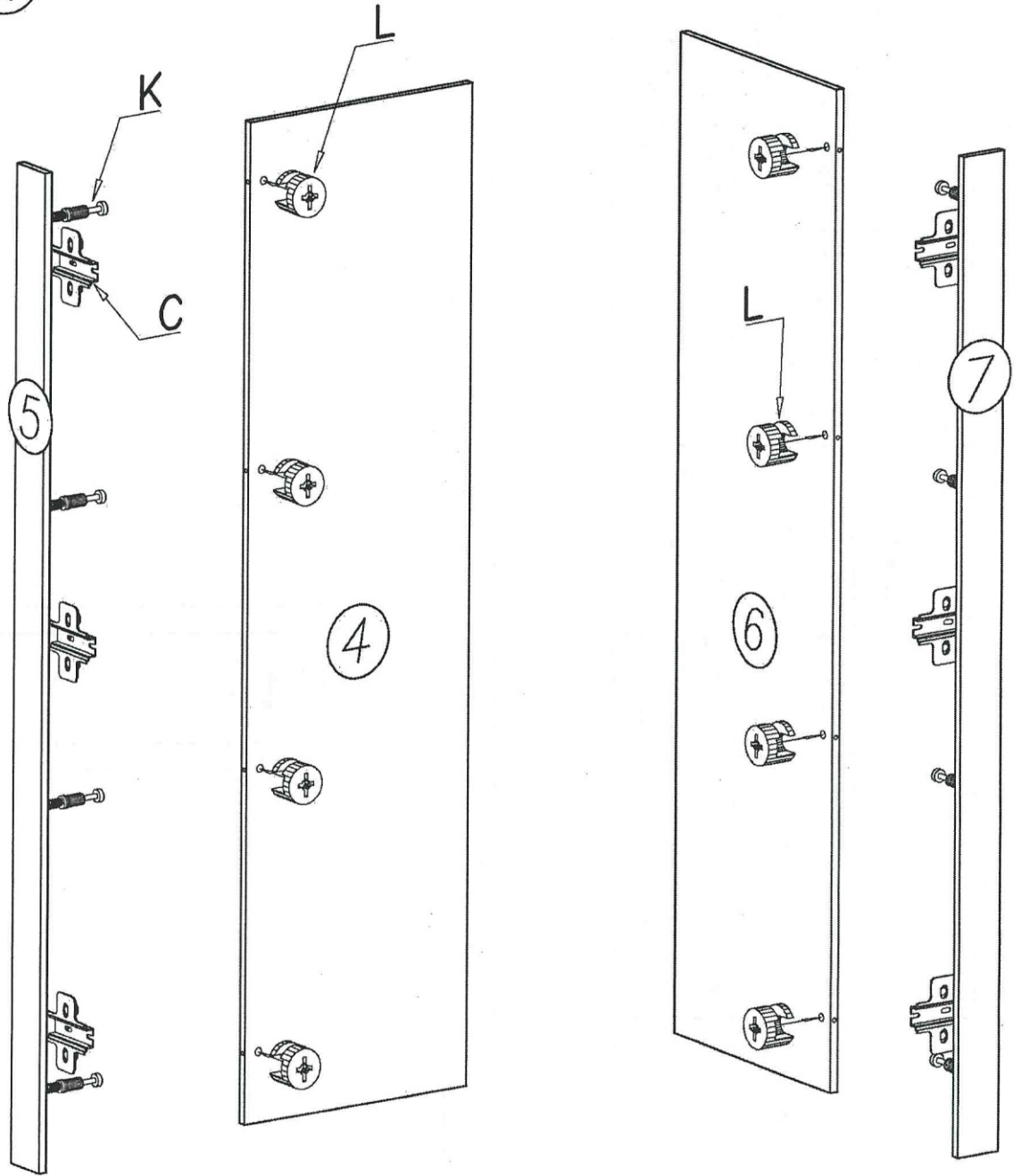


L - 14x

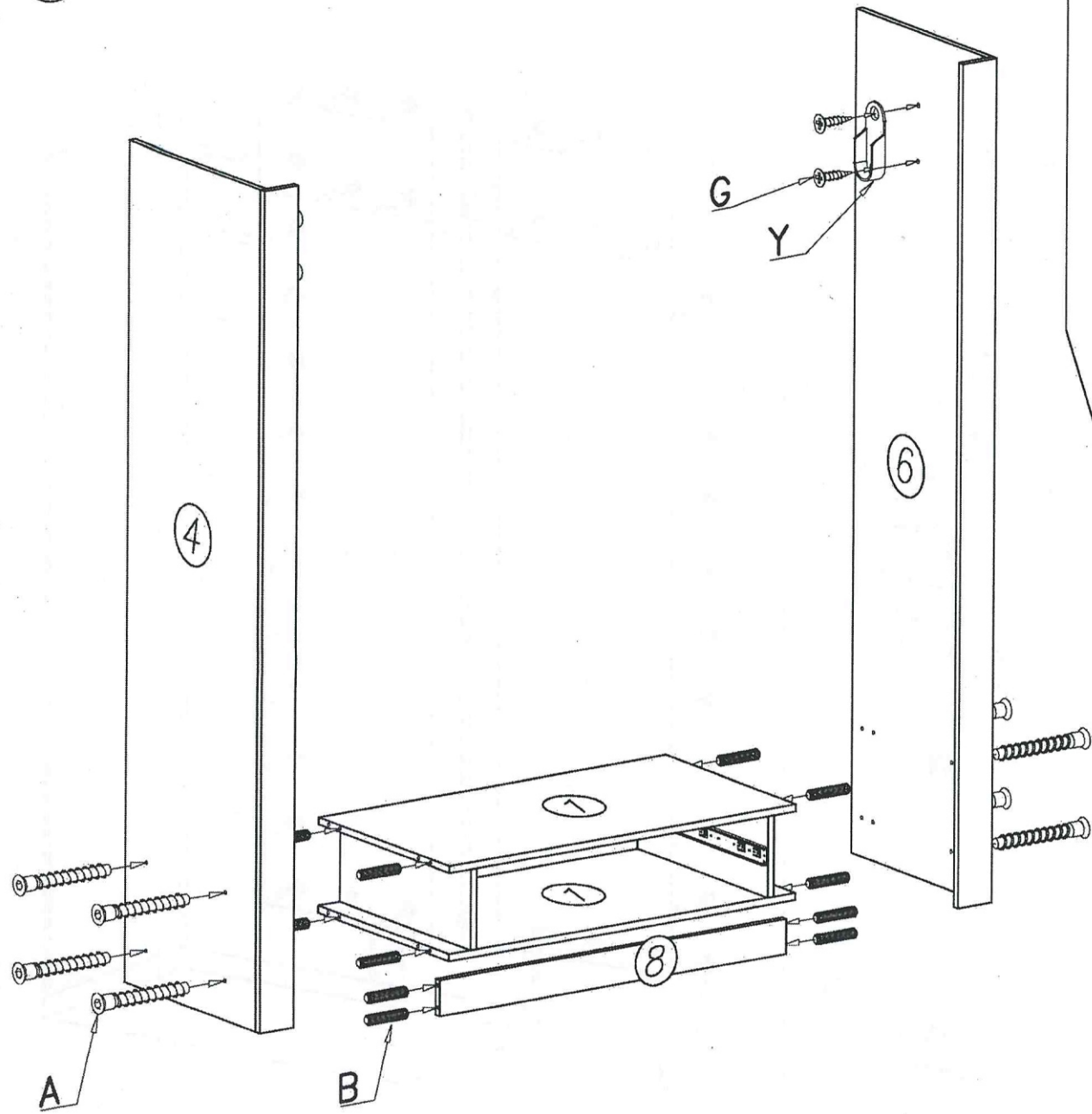
I



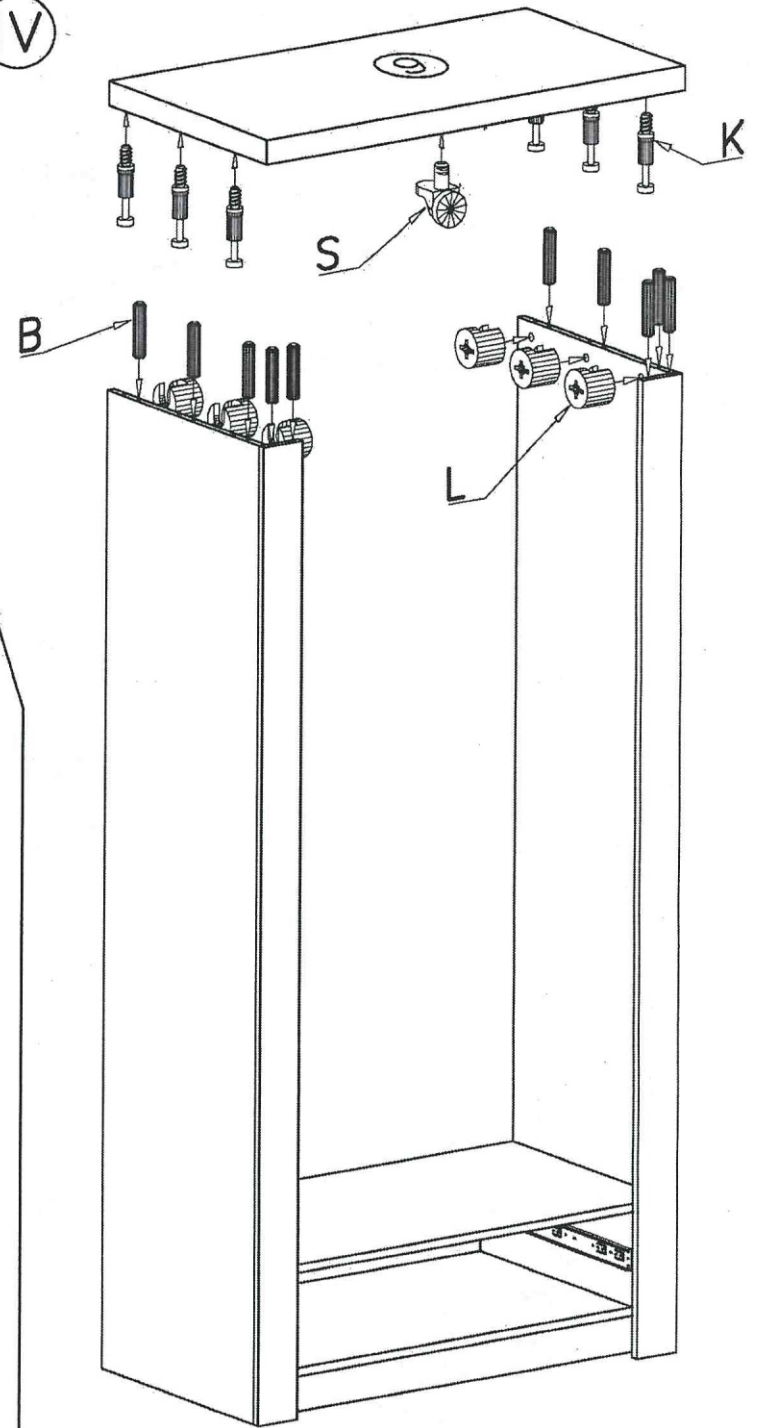
II



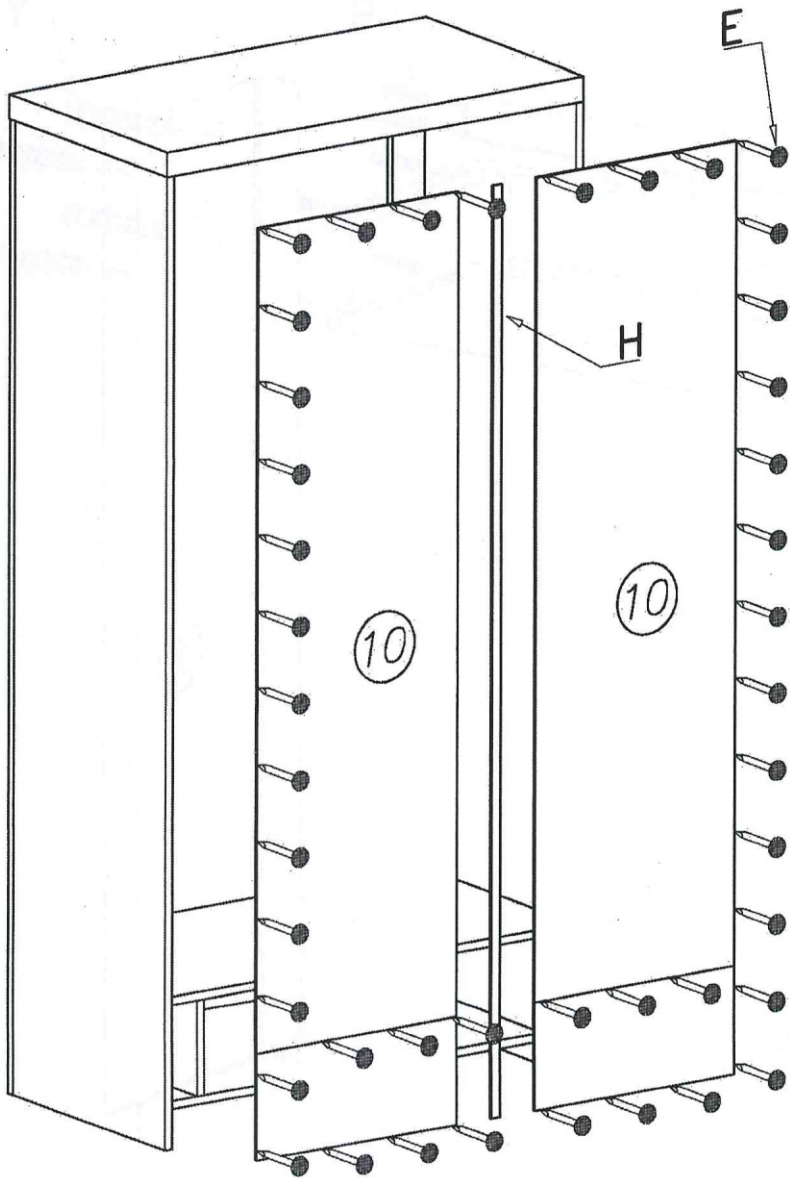
III



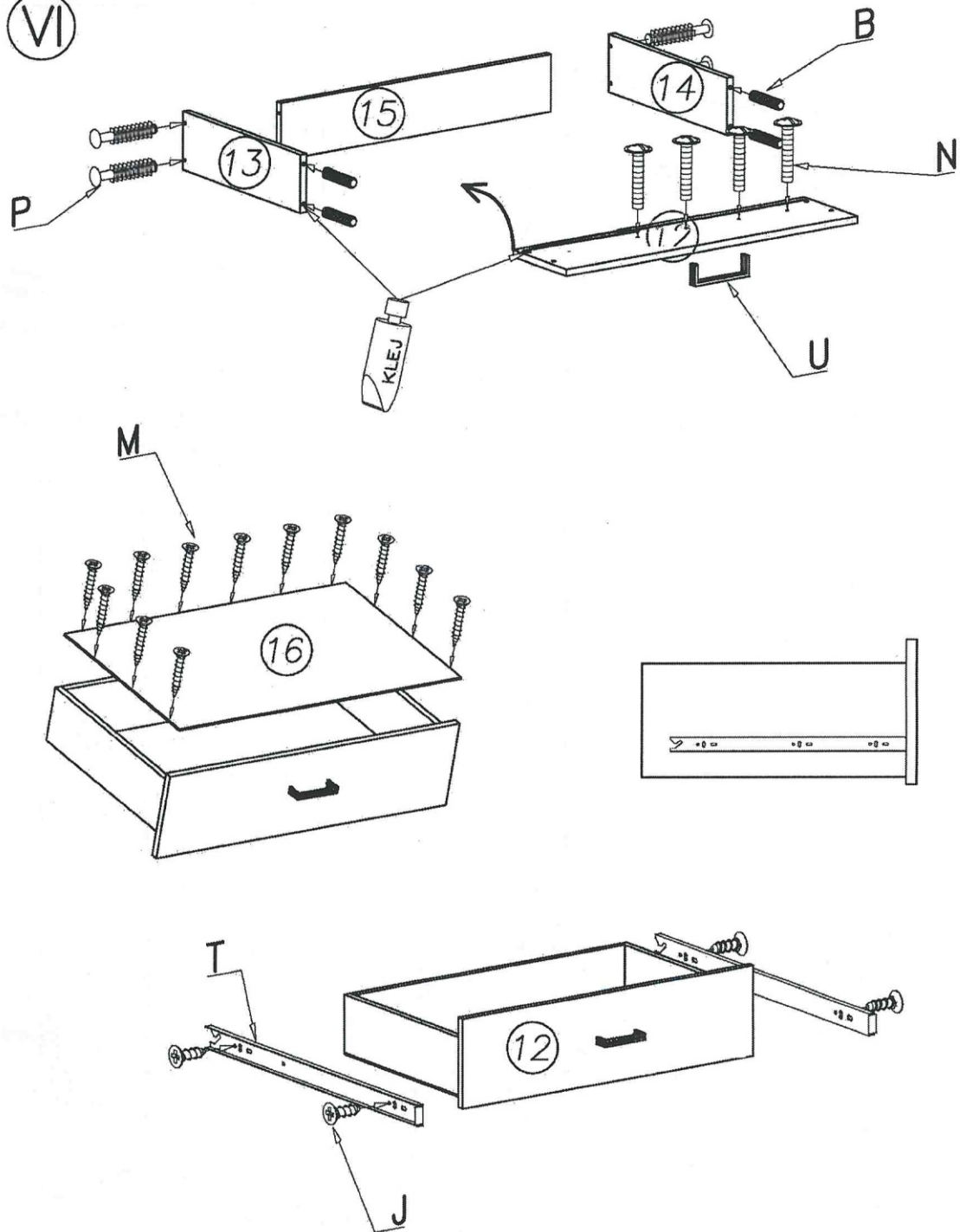
IV



V



VI



VII

